

## Compact Backflushing Filters

3" – 12" NB

### OVERVIEW

The Plenty Compact type of Backflush Filter has been specifically designed for use where an automatic cleaning filter is required to ensure process continuity without manual labour. These filters incorporate a proven cleaning mechanism which has been developed to provide a high level of cleaning efficiency with very low product loss. The housings are manufactured in cast iron or stainless steel, which allows the standard design to be used in a variety of process applications. The straining element is manufactured from stainless steel, and is designed to provide long service life. These filters are supplied in a full range of sizes to suit most applications.

### TYPICAL APPLICATIONS

Designed specifically for applications on water systems the Compact type of Backflush Filters can be installed in process plant making use of river, lake, canal, well and seawater, for nozzle protection, cooling, quenching and various other requirements. The Compact Backflusher is designed to automatically clean when pressure drop rises to 0.35 BARG.

### STANDARD FEATURES

- Low installed cost.
- Positive and efficient cleaning action.
- Single filtration element.
- Minimal product loss during backflush.
- Large range of filtration sizes.
- No separate back wash supply required.
- Mesh or wedge wire element options

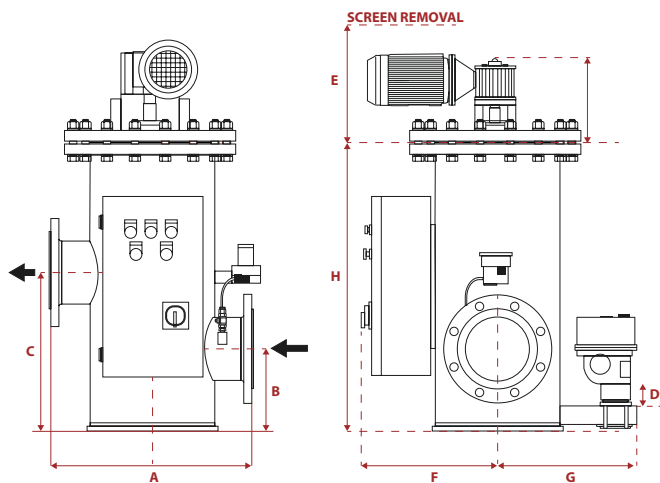


## FEATURES & BENEFITS

- ① Gearbox
- ② Gland seal
- ③ Differential pressure switch
- ④ Screen
- ⑤ Hollow collector shaft
- ⑥ Back seal
- ⑦ Automatic backwash valve
- ⑧ Backwash chamber
- ⑨ Automatic collector arm
- ⑩ Control panel
- ⑪ Drive motor

INLET

OUTLET



## DIMENSIONS-STAINLESS STEEL

Pipe size		Max. flow m <sup>3</sup> /hr	A mm	B mm	C mm	D mm	E mm	F mm	G mm	H mm	Screen area cm <sup>2</sup>	Baskwash size mm
in	mm											
3	80	45	470	165	330	60	475	490	435	462	175	50
4	100	95	470	180	350	60	600	400	415	588	300	50
6	150	205	530	215	420	60	710	430	440	760	460	50
8	200	325	610	280	560	60	870	443	455	1015	695	50
10	250	490	700	350	680	104	930	468	545	1157	905	65
12	300	590	760	400	800	104	1000	493	600	1352	1180	65

## DIMENSIONS-CAST IRON

Pipe size		Max. flow m <sup>3</sup> /hr	A mm	B mm	C mm	D mm	E mm	F mm	G mm	H mm	Screen area cm <sup>2</sup>	Baskwash size mm
in	mm											
4	100	95	470	180	350	60	600	400	415	588	300	50
6	150	205	530	215	420	60	710	430	440	760	460	50
8	200	325	610	633	913	135	870	435	440	1368	695	50
10	250	490	700	670	1000	105	1000	480	500	1477	905	65

# SPXFLOW

P: +44 (0) 1635 42363 F: +44 (0) 1635 49758 E: plentyfilters@spxflow.com

SPX FLOW reserves the right to incorporate our latest design and material changes without notice or obligation.

Design features, materials of construction and dimensional data, as described in this bulletin, are provided for your information only and should not be relied upon unless confirmed in writing. Please contact your local sales representative for product availability in your region. For more information visit [www.spxflow.com](http://www.spxflow.com).

The green "X" and "X" is a trademark of SPX FLOW, Inc.

PF-60.00-2-GB Version 01/2016 Issued 06/2016

COPYRIGHT © 2016 SPX FLOW, Inc.