

# Swing Check Valve



M&J Valve was founded in 1962 by Marvin Grove and has been a leader in the pipeline valve industry since its inception. Now part of SPX Flow Technology, M&J Valve meets or exceeds the quality standards of our customers and the valve industry. With a product offering of slab and expanding through-conduit gate valves, axial surge valves and rotary control valves, piston, ball, and swing check valves. M&J Valve can provide a wide variety of flow control solutions for liquid, geothermal and gas markets. This combination of products, technical know-how and field experience has allowed for a history of product innovation which has positioned M&J Valve in a leadership position within the valve industry.

Finding innovative ways to help the world meet its ever growing demand for energy is a key focus for SPX. As a multi industry Fortune 500 manufacturer, we provide creative solutions that serve global energy markets in a myriad of ways. SPX is helping to meet that demand with a broad range of high quality, custom-engineered systems and components that can also help improve efficiency and reduce the use of natural resources. We also supply a wide range of components — from air preheaters to filter systems. SPX off-the-shelf and customized solutions are supporting all phases of oil, gas and biofuel production, from exploration, extraction and processing to transport and storage.

## An Inexpensive Low Maintenance Back Flow Prevention Solution

In cross country pipelines, at river crossings, subsea tie-ins and on offshore platforms, the prevention of back flow protects your equipment, the environment and saves lives. These are only a few of the applications where the M&J swing check valve prevents back flow. Its proven, reliable design meets the demands of a wide range of both surface and subsea flow control applications in oil and gas transmission, distributor, production, and a wide range of industrial services.

### **SIMPLE – COST EFFECTIVE**

The M&J swing check valve's continuous operation ensures reliable protection. Without the need for an outside power source, the M&J swing check valve is an inexpensive, low maintenance solution to prevent back flow.

### **FOR STANDARD OR CRITICAL APPLICATIONS**

M&J offers swing check valves with a wide range of convenience, performance and safety options. Full opening designs minimize pressure drop across the valve and permit passage of intelligent pigs, scraper pigs and spheres. For high temperature service metal to metal seat seals and ring joint cover seals are standard.

For turbulent flow conditions, M&J swing check valves are offered with slam retarders. For subsea, custom engineered swing check valves are built to meet the most demanding customer specifications, testing and operational requirements. In short – if there is a need for a positive shut off of back flow, M&J can engineer and manufacture a swing check valve solution to meet the customers requirements.

### **CONFORMANCE TO THE HIGHEST STANDARDS**

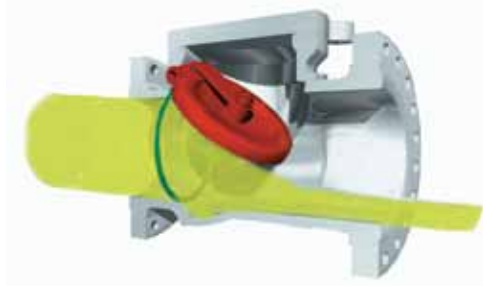
M&J Valve designs, manufactures and tests their swing check valves in accordance to API-Q1 and ISO-9001.

M&J swing check valves can be manufactured to meet one or more of the following standards.

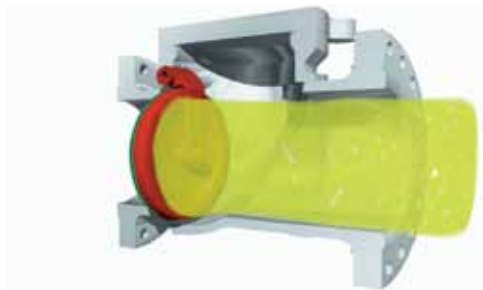
- ANSI B 16.5 - flanges and flanged fittings
- ANSI B 16.34 - steel valve specifications
- API - 6D - pipeline valve specifications
- ASME Section VIII - boiler and pressure vessels
- DOT Parts - 191, 192 and 95 Title 49 - pipeline standards
- NACE MR-01-75 (Latest edition) - corrosive materials standard

## POSITIVE BACK FLOW PREVENTION

The clapper is the only moving part in a M&J swing check valve. During normal flow the clapper swings up allowing free forward flow. When pressure is lost across the valve, the clapper falls and creates a barrier to backflow in a fraction of a second. The higher the backflow pressure the tighter the seal.



Normal Flow



Back Flow Prevention

## TESTED FOR SAFETY AND PERFORMANCE

M&J Valve subjects each swing check valve to shell and seat tests in accordance with applicable standards. Customer specified testing and non-destructive exams are available on request.

## PERFORMANCE OPTIONS AVAILABLE

M&J pipeline check valves with removable seats are available upon request. Most of these requests are for applications that permit seat monitoring or where a defined maintenance program or extremely corrosive or erosive service is in place.

M&J swing check valves may include one or more of these options:

- Accessory mounting
- Body Drain
- Extended shaft with:
  - Counterweight
  - Position indicator
  - Proximity switch
  - Slam retarder
  - Lock open
- Emergency shutdown systems:
  - Pressure actuated
  - Solenoid actuated
  - Temperature actuated



12" ANSI Class 600

## Typical product applications

### Oil, Gas, Liquid Products & Secondary Recovery

Mainline Block Valves

Tank and Station Valves

Block & Bleed Valves

Manifold Valves

Launcher/Receiver Trap Valves

Meter Bypass Valves

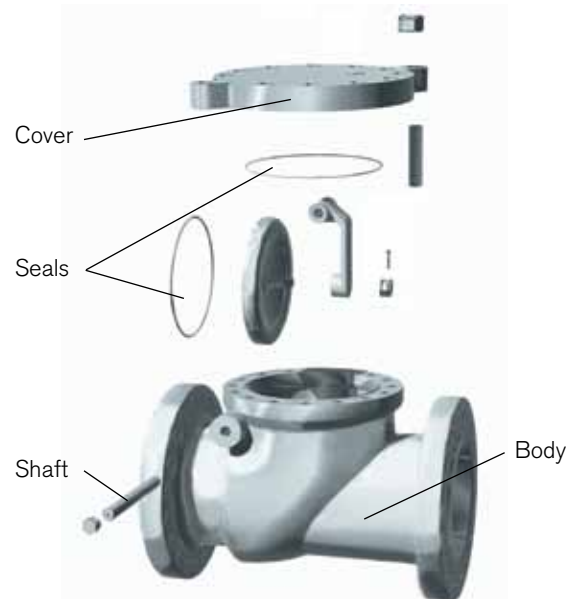
Emergency Shutdown Valves

Hot Tap Valves



## WIDE RANGE OF MATERIALS & SIZE AVAILABILITY

Standard M&J swing check valves are available in sizes 2" thru 36"; ANSI class 150 thru 1500 are available in flanged and/or weld end configuration.



In addition to carbon steel, M&J Valve can fulfill alloy and stainless steel requirements. Engineering assistance in recommending materials for special service requirements is also available.



## ABOUT SPX

Based in Charlotte, North Carolina, SPX Corporation (NYSE: SPW) is a global Fortune 500 multi-industry manufacturing leader. For more information, please visit [www.spx.com](http://www.spx.com).

## SPX FLOW TECHNOLOGY

8800 Westplain Dr.

Houston, TX 77041

P: (800) 231-3690 or (281)469-0550

F: (281) 894-1332

E: [mjvalve@spx.com](mailto:mjvalve@spx.com)

SPX reserves the right to incorporate our latest design and material changes without notice or obligation.

Design features, materials of construction and dimensional data, as described in this bulletin, are provided for your information only and should not be relied upon unless confirmed in writing. Please contact your local sales representative for product availability in your region. For more information visit [www.spx.com](http://www.spx.com).

The green ">" is a trademark of SPX Corporation, Inc.