

Bottom Intake Submersible Pump

BIO-FOULING PREVENTION SYSTEM

PUMP OVERVIEW

ClydeUnion S&N Pumps bottom intake submersible pumps are water and propylene-glycol filled pumps that feature a compact, high-efficient, corrosion-resistant pump design that functions in low water levels. The pump has the technical features of a submersible pump with the benefits of a line shaft pump offering the offshore oil and gas industry secure, reliable, and long-lasting seawater handling capabilities.

FEATURES

The structure of the ClydeUnion S&N Pumps bottom intake pump is equivalent to an inverted submersible motor pump. All pump casing parts are zinc-free bronze with heavy-duty and high efficiency nickel-aluminum bronze impellers as a standard. The single stage or multi-stage pump incorporates double silicon-carbide mechanical shaft sealing for environmental safety and tilting axial thrust bearings and guarantees high thrust absorption. The stator shroud is zinc-free bronze. The pump incorporates a (ZFB) suction port with an anti-vortex plate that helps prevent pump cavitation. The submersible three phase rewindable wet stator motor is wound with high-temperature resistant PE2 wiring.

TYPICAL APPLICATIONS

- Emergency de-ballast systems

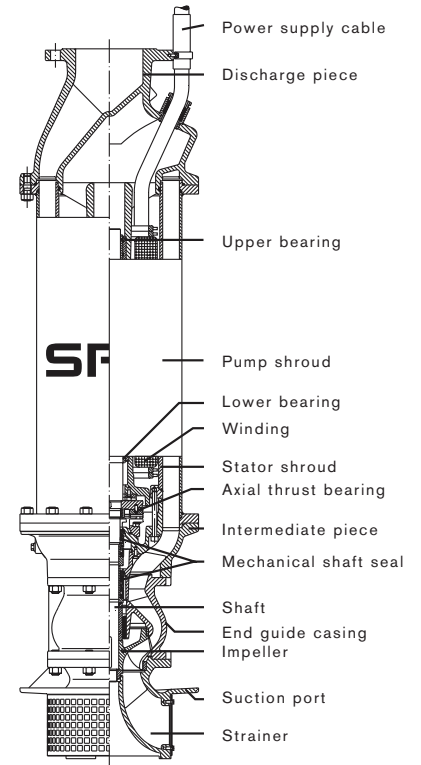


TYPICAL PUMP CONSTRUCTION

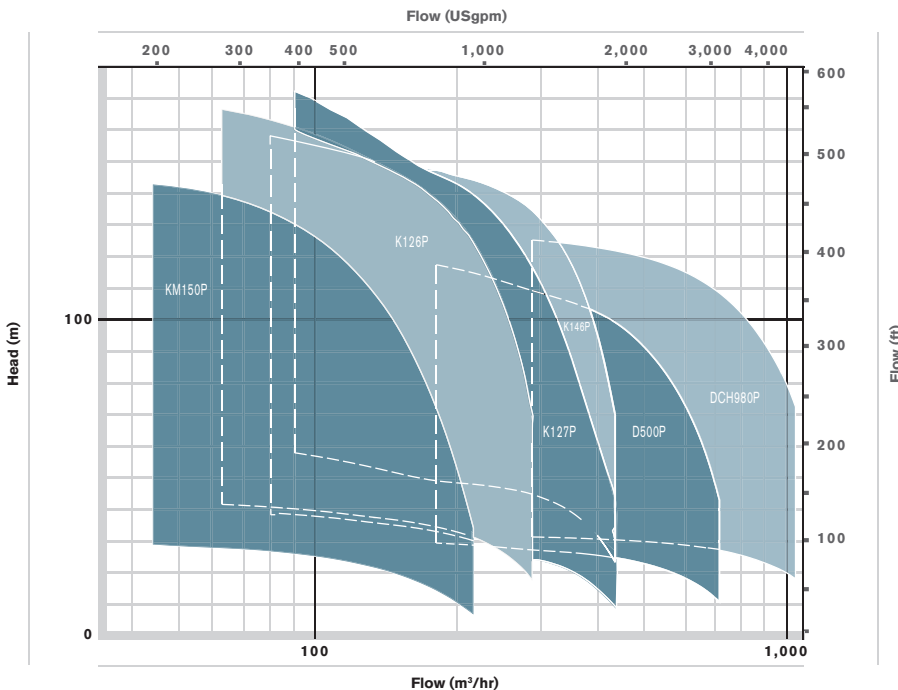
PART DESCRIPTION	DIN	ASTM
Discharging piece	G CuSn10	ZFB B-427 C91600
NRV casing	G CuSn10	ZFB B-427 C91600
Pump shaft sleeves/coupling	1.4401/1.4462	316 GR F316/ 318 LN
Impeller	Ni Alum Brz.	NAB B148 C95500
Neck rings	1.4580	316 Ti
Stage casings	G CuSn10	ZFB B-427 C91600
Intake Screen/Hardware	1.4571	316 Ti

TYPICAL MOTOR CONSTRUCTION

PART DESCRIPTION	DIN	ASTM
Upper bearing-spiral grooved	Graphite	Graphite
Motor Windings, 20°C	PE2 + PA	40°C
Motor stator housing	1.4571	316 Ti
Motor end bell	G CuSn10	ZFB B-427 C91600



RANGE COVERAGE CHART



- 1.15 Motor service factor - 40°C (-40°F) motor windings
- No fluid flow required up to 40°C (104°F) for cooling purposes
- Fully repairable pumps and motors - motor is fluid filled and fully rewindable

SPX

P: +1 (281) 445-2243 F: +1 (281) 445-4061 E: cu.sales@spx.com

For more information about our worldwide locations, approvals, certifications, and local representatives, please visit www.spx.com.

SPX Corporation reserves the right to incorporate our latest design and material changes without notice or obligation. Design features, materials of construction and dimensional data, as described in this bulletin, are provided for your information only and should not be relied upon unless confirmed in writing.

CUP-04-BOIN-UK-02

COPYRIGHT © 2012 SPX Corporation